

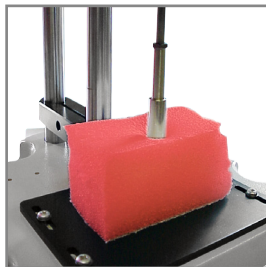
LCP/S

Manual Test Stand

- 500 N capacity
- Easy-to-use
- High precision
- Quick-acting lever
- Compact and portable



Aerosol actuation



Compressive testing



Shown with digital force gauge (not supplied)

- Rugged & reliable
- Holes for bench mounting
- Accepts digital height scales

The LCP/S, combined with a Mecmesin force gauge, is ideal for low cost, repetitive tensile and compressive testing on the production floor or in laboratories e.g. simple pull-off tests, push-in and push-out tests where quick comparative checks are required. It is an accurate, precise and dependable instrument for use when simplicity, economy and fast throughput are important.

Equipped with a quick-action lever for controlling crosshead speed and travel, the LCP/S is very easy-to-use and is fitted with a standard dovetail bracket for convenient interchangeability of Mecmesin force gauges. The LCP/S is also supplied with an adjustable stop and a fine adjustment thimble, which ensure that the moving crosshead stops at the same pre-set position during each test. An optional height scale can be added for applications which require a digital display of displacement.

versatile
easy-to-use
cost-effective

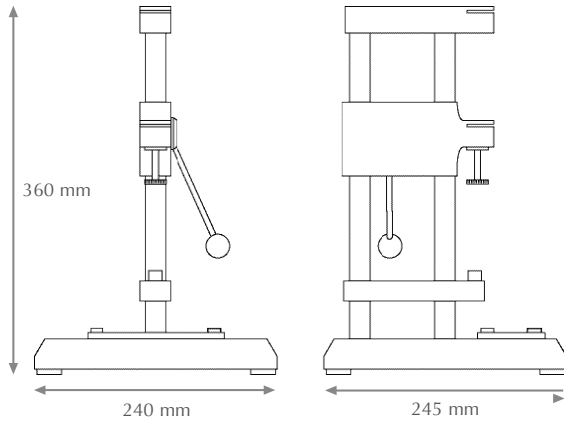


Textile testing

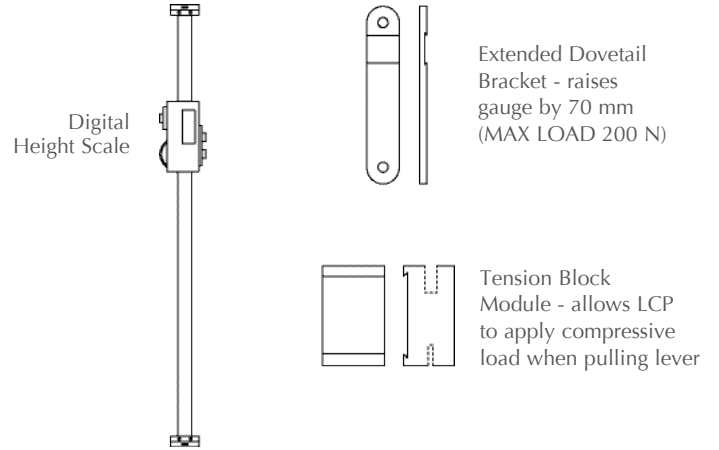


Tool testing

Dimensions



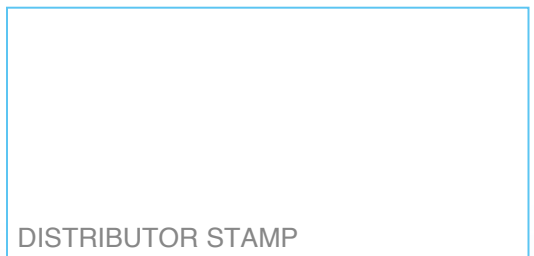
Optional Extras



Mecmesin reserves the right to alter equipment specifications without prior notice. E&OE

Specifications

Model	LCP/S
Effective travel without gauges and accessories	170 mm
Linear travel per revolution	47 mm
Maximum load	500 N, 110 lbf, 50 kgf
Maximum movement of fine adjusters	8 mm
Maximum movement of adjustable stop	152 mm
Weight	4.5 kg
Maximum load using extended dovetail bracket	200 N, 44 lbf, 20 kgf



Head Office
Mecmesin Limited

w: www.mecmesin.com
e: sales@mecmesin.com

North America
Mecmesin Corporation

w: www.mecmesincorp.com
e: info@mecmesincorp.com

France
Mecmesin France

w: www.mecmesin.fr
e: contact@mecmesin.fr

Asia
Mecmesin Asia Co., Ltd

w: www.mecmesinasia.com
e: sales@mecmesinasia.com

Germany
Mecmesin GmbH

w: www.mecmesin.de
e: info@mecmesin.de

China
Mecmesin (Shanghai) Pte Ltd

w: www.mecmesin.cn
e: sales@mecmesin.cn