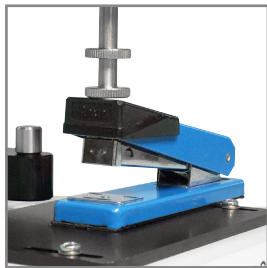


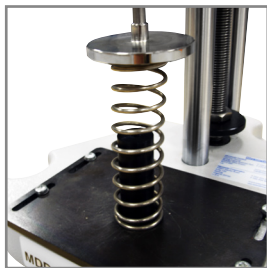
## MDD

### Manual Test Stand

- 1 kN (220 lbf) capacity
- Robust design
- High precision
- Compact & portable
- Handwheel operation
- Tension & compression



Actuation testing



Spring testing



Shown with digital force gauge  
(not supplied)

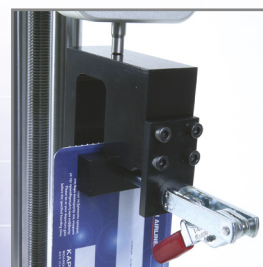
- Rugged & reliable
- Holes for bench mounting
- Accepts digital height scales

The MDD, combined with a Mecmesin force gauge, is ideal for low cost tensile and compression testing on the production floor or in laboratories.

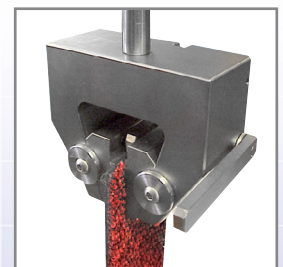
Easy to use, the MDD is operated via a handwheel, which gives precise control of the crosshead, together with a lockable thumbwheel for fine adjustment.

The MDD is also fitted with a standard dovetail bracket for easy interchangeability of Mecmesin force gauges and loadcells. An optional height scale can be added for digital display of displacement and optional feet allow the MDD to be used horizontally.

versatile  
easy-to-use  
cost-effective



Tear testing

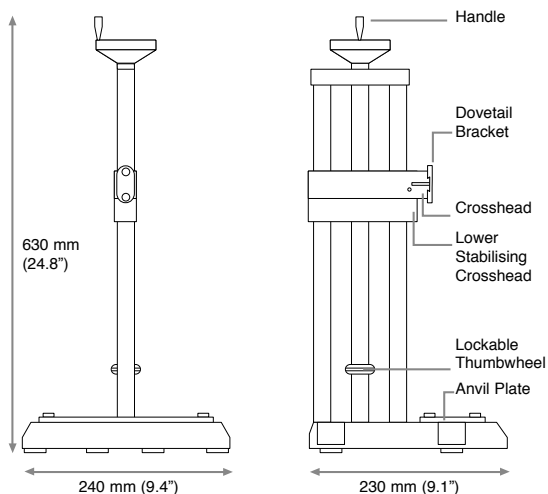


Tensile testing

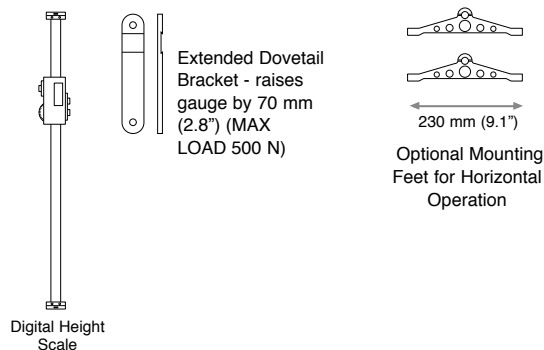
# Mecmesin

testing to perfection

## Dimensions mm (inch)



## Optional Extras



Mecmesin reserves the right to alter equipment specifications without prior notice.

## Specifications

Model	MDD - Manual Direct Drive Test Stand
Crosshead travel (both directions)	2 mm (0.1") per handwheel revolution
Effective crosshead travel height	380 mm with AFG Force gauge, but without accessories and scale (400 mm with BFG) 360 mm with AFG/BFG Force Gauges and height scale, but without accessories
Maximum Load	1000 N/100 kgf/220 lbf
Weight	6 kg
<b>Optional Extras</b>	
Height scale	0.01 mm (0.0005") resolution
Mounting feet	For horizontal operation



Mecmesin reserves the right to alter equipment specifications without prior notice. E&OE

DISTRIBUTOR STAMP

**Head Office - UK**  
Mecmesin Limited

w: [www.mecmesin.com](http://www.mecmesin.com)  
e: [sales@mecmesin.com](mailto:sales@mecmesin.com)

**North America**  
Mecmesin Corporation

w: [www.mecmesincorp.com](http://www.mecmesincorp.com)  
e: [info@mecmesincorp.com](mailto:info@mecmesincorp.com)

**France**  
Mecmesin France

w: [www.mecmesin.fr](http://www.mecmesin.fr)  
e: [contact@mecmesin.fr](mailto:contact@mecmesin.fr)

**Asia**  
Mecmesin Asia Co., Ltd

w: [www.mecmesinasia.com](http://www.mecmesinasia.com)  
e: [sales@mecmesinasia.com](mailto:sales@mecmesinasia.com)

**Germany**  
Mecmesin GmbH

w: [www.mecmesin.de](http://www.mecmesin.de)  
e: [info@mecmesin.de](mailto:info@mecmesin.de)

**China**  
Mecmesin (Shanghai) Pte Ltd

w: [www.mecmesin.cn](http://www.mecmesin.cn)  
e: [sales@mecmesin.cn](mailto:sales@mecmesin.cn)